

Skirting trunking, type TML PVC



Basic data

Skirting Trunking System

With the Thorsman Skirting Trunking System, the entire installation can be surface mounted. The system may, for instance, be used with prefabricated building elements or for modernisation and extension work. The system consists of back sections and covers of self-extinguishing PVC, with a complete range of accessories, including junction- and outlet boxes for connecting power, television and telecommunications wiring. The system is approved by SEMKO, NEMKO, FIMKO and has the degree of protection IP21 when used with insulated type cables. Approved by the Swedish Telecommunications Authority (Telia) for telecommunications and power cables running parallel (max parallel distance 100 metres).

Benefits

- Easy to add to and alter for correct positioning of outlets
- Approved for power circuits, signal circuits, telecoms and radio/TV, including in areas where the degree of protection IP21 is required
- Surface mounting i.e., no damage to insulation and vapour barriers
- No costly post installation repairs
- Established system, complete with accessories and outlet kits.

Temperature Range

-20 °C to +60 °C.

Material and Colour

Skirting Trunking: White NCS 0702-G30Y self-extinguishing, cadmium- and lead-free PVC.
Accessories: White PA (polyamide/nylon).

Accessories

Internal and External corners, Stop ends, Junction boxes, Outlet boxes and fixing clamps.

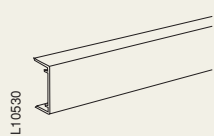
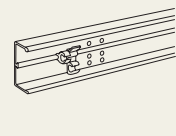
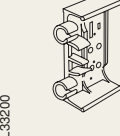
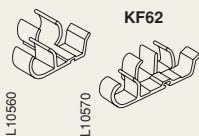
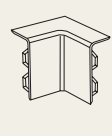
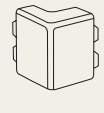
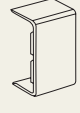
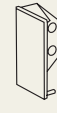

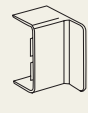
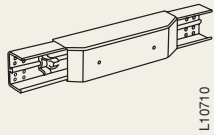
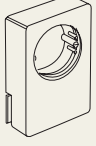
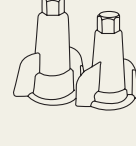
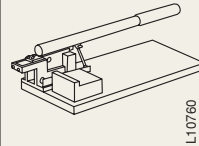
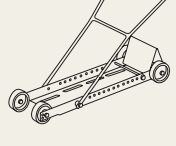
Lengths supplied

2.55 metres. Cut to length on site, using Thorsman's practical tools.

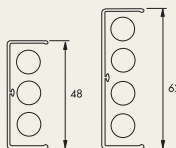
Mounting

Covers and cables are secured by means of the extended back section or by fixing clamps. Thorsman TPS Nail plugs work well for fixing the electrical trunking to concrete.

Product Range, type TML

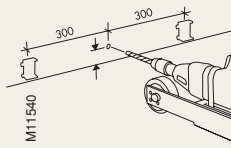
In the matrix: Type Art. No.					
	Cover	Back section	Fixing clamp	Fixing clamp	Internal corner
TML-48	TML-TT48 5005 012	TML-TF48 5010 004	TML-THT48 5107 008	TML-KF48 5106 000	TML-IH48 5100 011
TML-62	TML-TT62 5030 010	TML-TF62 5035 019	TML-THT62 5127 006	TML-KF62 5126 006	TML-IH62 5120 019
					
	External corner	Jointing piece	Stop end	Junction piece	Corner junction piece
TML-48	TML-YH48 5101 019	TML-SS48 5103 015	TML-ES48 5102 017	TML-AG48 5105 010	TML-HA48 5104 013
TML-62	TML-YH62 5121 017	TML-SS62 5123 013	TML-ES62 5122 015	TML-AG62 5125 018	TML-HA62 5124 011
					
	Corner junction	Outlet box	Wire connector	Cutting tool	Drill trolley
TML-48	TML-DK48 5166 015	TML-SD48 5170 014	TORIX T6 3000 210	TML-KX 5217 005	TML-BV 5216 007
TML-62	TML-DK62 5166 012	TML-SD48 5170 014*	TORIX T6 3000 210	TML-KX 5217 005	TML-BV 5216 007

* To fit 62 mm cover, the box is cut as shown in the instructions inside the box.



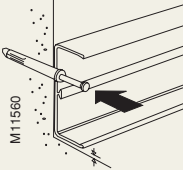
R10040M

Cable capacity:
Cable diam. 10-14 mm.



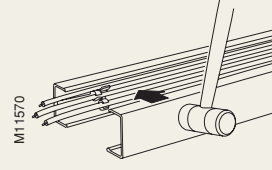
M11540

The drill trolley gives correct spacing for fixing clamps.



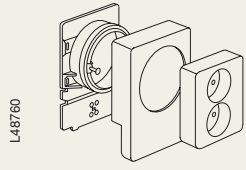
M11560

Fixing the back section with Nail plugs.



M11570

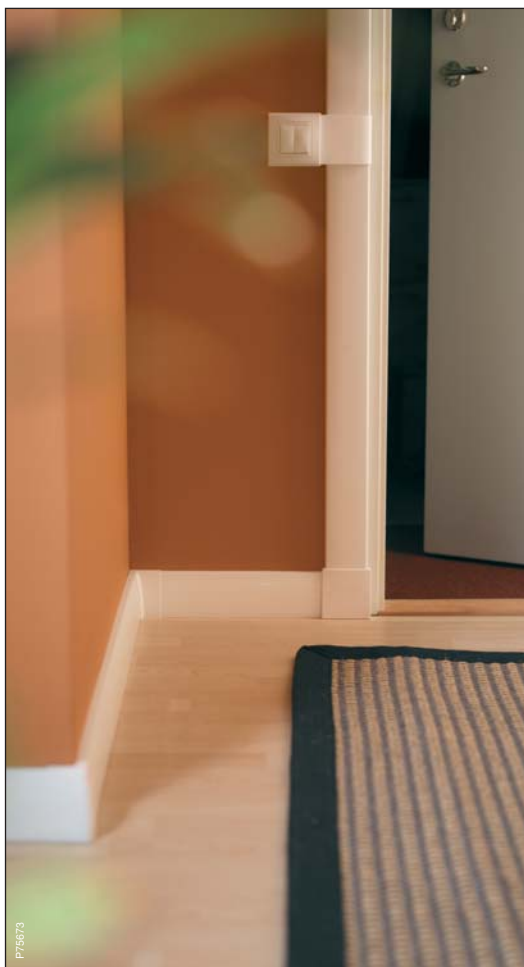
Installing the cover.



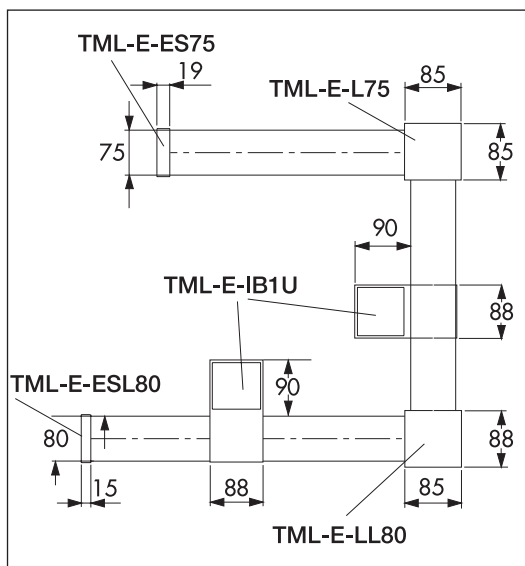
L48760

Installing the Outlet box kit.

Skirting trunking, type TML-E PVC



Design and Dimensions



Basic data

Thorsman TML-E is the modern and versatile solution for surface-mounted installations of electrical, phone and data cables in conversions and new buildings.

With its attractive, high-gloss finish and discreet design, Thorsman TML-E blends elegantly into the home or office environment. Thanks to the surface finish and the UV-stable properties, the system is highly resistant to dirt and sunlight.

One trunking base, two covers

The same trunking base is used for both floor and door mounting. Four integrated compartments keep cables separated, and totally hidden behind the covers. In the floor application, the cover allows concealing of loudspeaker cords etc.

Material and colour

Trunking base in PVC white RAL 9003. Trunking cover in PVC (self-extinguishing, lead- and cadmium-free) in four colours white RAL 9003, beige RAL 1015, brown RAL 8011, grey RAL 7035. Trunking cover for floor application is also available in two foil finishes (walnut and maple). Accessories in ABS in the same colours as above, (no foile).

Temperature range

-20° C to +60° C.

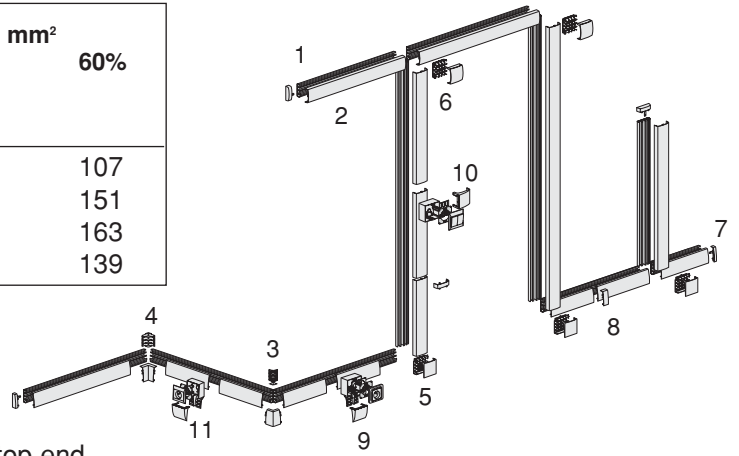
Length supplied

2,5 metres, cut to length on site.

Degree of protection: IP40.

Cable capacity

Comp.		Cross section area mm ²	Cable capacity mm ²		
			40%	50%	60%
1		178	71	89	107
2		252	101	126	151
3		272	109	136	163
4		232	93	116	139



TML-E components

1. Trunking base
2. Trunking cover
3. External corner with cover
4. Internal corner with cover
5. Junction unit L with cover
6. Junction unit T with cover
7. Stop end
8. Joint cover piece
9. Adaptor between floor trunking and installation box
10. Adaptor between wall trunking and installation box
11. Installation box

Product Range, type TML-E

Trunking base	Trunking cover	External corner	Internal corner	Junction unit L	Junction unit T
TML-E-U75/80 5127 100 White	TML-E-C80 Floor 5127 115 White 5127 117 Beige 5127 118 Brown 5127 119 Grey 5127 120 Walnut 5127 121 Maple TML-E-C75 Wall 5127 104 White 5127 106 Beige 5127 107 Brown 5127 108 Grey	TML-E-YH80 5127 140 White 5127 142 Beige 5127 143 Brown 5127 144 Grey	TML-E-IH80 5127 130 White 5127 132 Beige 5127 133 Brown 5127 134 Grey	TML-E-LL80 ← 5127 220 White 5127 222 Beige 5127 223 Brown 5127 224 Grey TML-E-LR80 → 5127 230 White 5127 232 Beige 5127 233 Brown 5127 234 Grey TML-E-L75 5127 200 White 5127 202 Beige 5127 203 Brown 5127 204 Grey	TML-E-T80 5127 240 White 5127 242 Beige 5127 243 Brown 5127 244 Grey TML-E-T75 5127 210 White 5127 212 Beige 5127 213 Brown 5127 214 Grey
Stop end	Joint cover piece	Adaptor	Installation box		
TML-E-ESL80 ← 5127 160 White 5127 162 Beige 5127 163 Brown 5127 164 Grey TML-E-ESR80 → 5127 170 White 5127 172 Beige 5127 173 Brown 5127 174 Grey TML-E-ES75 5127 150 White 5127 152 Beige 5127 153 Brown 5127 154 Grey	TML-E-US80 5127 190 White 5127 192 Beige 5127 193 Brown 5127 194 Grey TML-E-US75 5127 180 White 5127 182 Beige 5127 183 Brown 5127 184 Grey	TML-E-A80 5127 300 White 5127 302 Beige 5127 303 Brown 5127 304 Grey TML-E-A75 5127 290 White 5127 292 Beige 5127 293 Brown 5127 294 Grey	TML-E-IB1U 5127 260 White 5127 262 Beige 5127 263 Brown 5127 264 Grey		

← = Left hand → = Right hand