

Cable organizer, type CBL Aluminium



CBL-A3 on the desk edge.



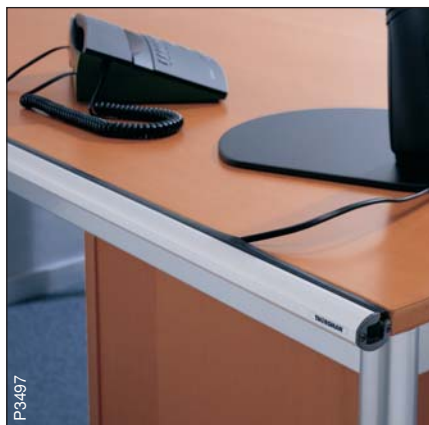
CBL-C1 cable protector.



CBL-E2 cable bag.



CBL-B2 cable organizer under the desk.



CBL-D1 on the desk edge.

Basic facts

Description

Loose cables and cords creates often problems and disturbances at the office work place, both for the user of the work place as well as for the cleaning personnel. Some of the connections and cables may not be disconnected.

Thorsman can offer several products for the handling and organization of cables and cords between the office desk and the installation system. The CBL range includes a number of basic units and accessories of universal design, meaning that the design and function of the products make them suitable for almost any type of office environment.

The accessories makes it easy to organize a large quantity of cables or cords. The cable organizers can also be earthed, covered and thereby providing shielding of electrical fields.

Installation

The cable organizers can be mounted on wall, under the desk, along the desk-edge or on the desktop surface.

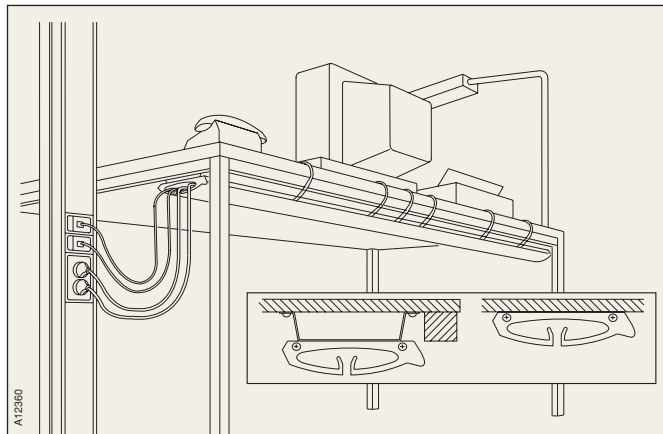
Delivery lengths

Standard lengths as per below table. Other lengths available upon request.

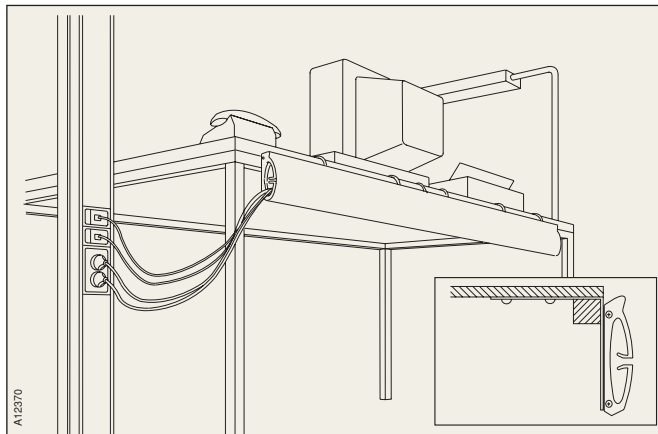
Material and Colours

Natural anodized or powder coated aluminium. Can be painted in any shade listed in the NCS and RAL colour ranges (see page 6).

The cable organizer can be mounted on the desk, under the desk, along the desk edge or on wall



CBL-A3 under the desk.

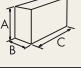
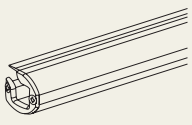
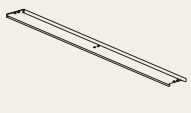
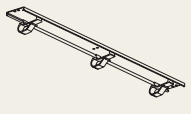
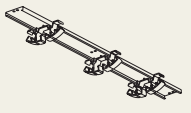

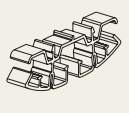
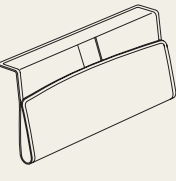
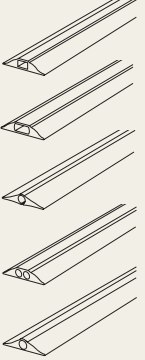


CBL-A3 on the desk edge.

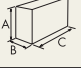
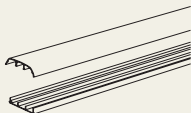
Range

	Type	Colour	Material	Dimension mm A/B/C	Art. No.	
L48640	Cable organizer, covered	Aluminium profile and cover, including cable clips and stop ends. To organize cables and cords and to reduce electric fields by the desk.				
		CBL-A3	Anodized White NCS White RAL Black, textured L25	Aluminium, PC/ABS	38/130/750	5873 000 5873 001 5873 002 5873 003
	L48680	Distance bracket	For CBL-A3. For desk with a frame under the desktop, to be able to mount a full length of CBL-A3 under the desk. Kit, 3 pcs.			
			CBL-DB35 CBL-DB50	Untreated	Aluminium	35/20/155 50/20/155
L48690	Angled bracket	To mount CBL-A3 on the desk edge. Kit, 3 pcs.				
	CBL-VF	Electroplated	Steel	100/25/125	5873 180	
L48650	Cable clip	For CBL-A3 and CBL-B1, CBL-B3.				
		CBL-DC3	Grey	PC/ABS	32/15/96	5873 120
L47780	Flex holder	For CBL-A3. To wind up excess cable or cord.				
		TTP-CH	Black	Polyamide/ PA6	55/30/11	5871 100
L48700	Shielding kit	For CBL-A3 and CDL-D1. To reduce electric fields around the workplace. N.B. <i>Not to be used as a safety conductor!</i>				
		TTP-JS	White/transparent	Polyamide/ PA6	Length 1.5 m	5871 110
L52960	Joining piece	To joint CBL-A3.				
	FED-SSJ	Untreated	Aluminium	4/11/50	5440 810	



Range

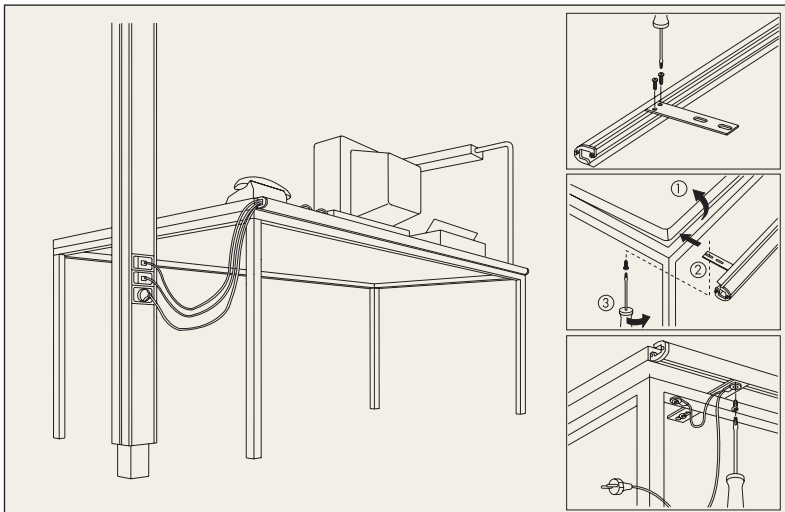
		Type	Colour	Material	Dimension mm A/B/C	Art. No.
		Cable organizer Aluminium profile, silicon edging, stop ends and desk fixings.				
L52630		CBL-D1	Anodized	Aluminium	25/30/800	5873 500
			White NCS			5873 502
			White RAL			5873 503
			Black, textured L25			5873 501
		Anodized	25/30/1600	5873 510		
				White NCS	5873 512	
White RAL	5873 513					
Black, textured L25	5873 511					
		Cable organizer Aluminium profile. To organize excess cords in conjunction with cable clips. Fastened to the underside of trunking or a desk surface.				
L48710		CBL-B1	Anodized	Aluminium	8/49/2500	5590 521
		Cable organizer Aluminium profile, including 3 sliding cable clips CBL-DC2. To organize excess cords in conjunction with cable clips. Fastened to the underside of trunking or a desk surface. CBL-B2 SB1 packed in plastic bag hanger for retail DIY (Do-It-Yourself).				
L48720		CBL-B2	Anodized/grey	Aluminium/PP	29/58/550	5590 525
		CBL-B2 SB1				5590 526
		Cable organizer Aluminium profile, including 3 sliding cable clips CBL-DC3. To organize excess cords in conjunction with cable clips. Fastened to the underside of trunking or a desk surface.				
L48660		CBL-B3	Anodized/grey	Aluminium	29/58/550	5590 527
		Cable clip For CBL-B1 and CBL-B2. CBL-DC2 SB3 (kit of 3 clips) packed in plastic bag hanger for retail DIY (Do-It-Yourself).				
L48730		CBL-DC2	Grey	PC/ABS	25/15/56	5590 492
		CBL-DC2 SB3				5590 493
		Cable clip For CBL-A3 and CBL-B1, CBL-B3.				
L48650		CBL-DC3	Grey	PC/ABS	32/15/96	5873 120
		Cable bag Leather cable bag intended to collect and conceal cables, cords, transformers and outlets in offices. The bag is fixed to desk by means of the fixing device of the desk lamp, by clamping it between desk-top and frame, or by means of Velcro tape to the desk top.				
L59780		CBL-E1	Black	Leather	200/55/250	5873 700
		CBL-E2			300/55/450	5873 710
		Cable protector Cable protector to be used on floors. To collect, protect and conceal loose connection cables and cords.				
L53200 L53210 L53220 L53230 L53240		CBL-C1	Grey	PVC, Softened	12/67/9000	5873 300
		CBL-C2	Grey		14/80/9000	5873 310
		CBL-C2	Yellow	14/80/9000	5873 311	
		CBL-C2 1m	Grey	14/80/1000	5873 315	
		CBL-C3	Grey	16/75/9000	5873 320	
		CBL-C4	Grey	15/81/9000	5873 330	
		CBL-C5	Grey	18/90/9000	5873 340	

Range

	Type	Colour	Material	Dimension mm A/B/C	Art. No.
L62310 	Cable feeder Feeding and protection of cables on floor. For applications where surface-mounted slim feeding of a smaller amount of cables or cords is required. Divided into three compartments by two partition walls. Pre-punched fixing holes.				
	FED-F1	Anodized	Aluminium	18/91/2500	5435 210

Cable capacity

Type	Size of hole		Type	Size of hole	
CBL-C1	16 x 8 mm	L51840	CBL-C4	2 x Ø 11 mm	L51870
CBL-C2	30 x 10 mm	L51850	CBL-C5	Ø 14 mm	L51880
CBL-C3	Ø 11 mm	L51860			



CBL-D1