

# Installation Trunking System, type BOA



## Basic data

### Description

BOA Installation Trunking System is an innovative and cost-effective solution for smaller cable capacity requirements, e.g. in small offices, shops, receptions, etc. BOA provides the necessary power and data at the working place by means of a lean optimized *Cable Trunking System*, with the *Service Content* concentrated right where it is needed.

The trunking can be installed both horizontally and vertically on the wall. The trunking base is provided with separation walls, allowing separation of power and data cables in different compartments.

Two installation units are available for CYB Service Content;

- one unit for up to four CYB products
- one unit for one CYB product (e.g. switch, dimmer)

The system also includes a luminaire outlet. (Scandinavian standard)

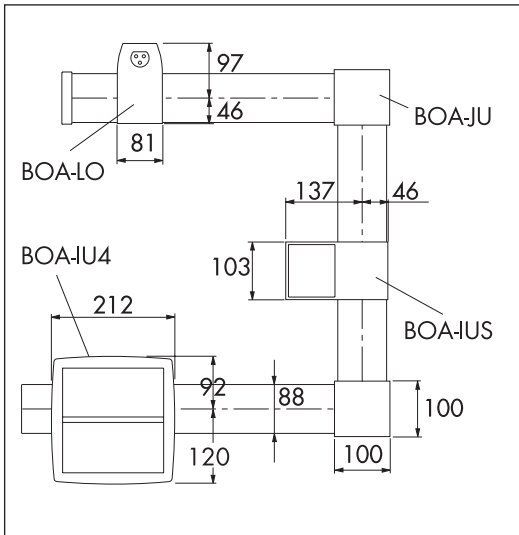
BOA Installation Trunking System complies with the high environmental demands of the Thorsman brand installation trunking, by using lead-free PVC and halogen-free plastics. The trunking cover is either made of aluminium or lead-free PVC.

BOA is not suitable for use as a skirting on floor level. It is compatible with CYB service content but not with F80® front covers and MIB boxes.

### Degree of protection

IP40.

# Design and Dimensions

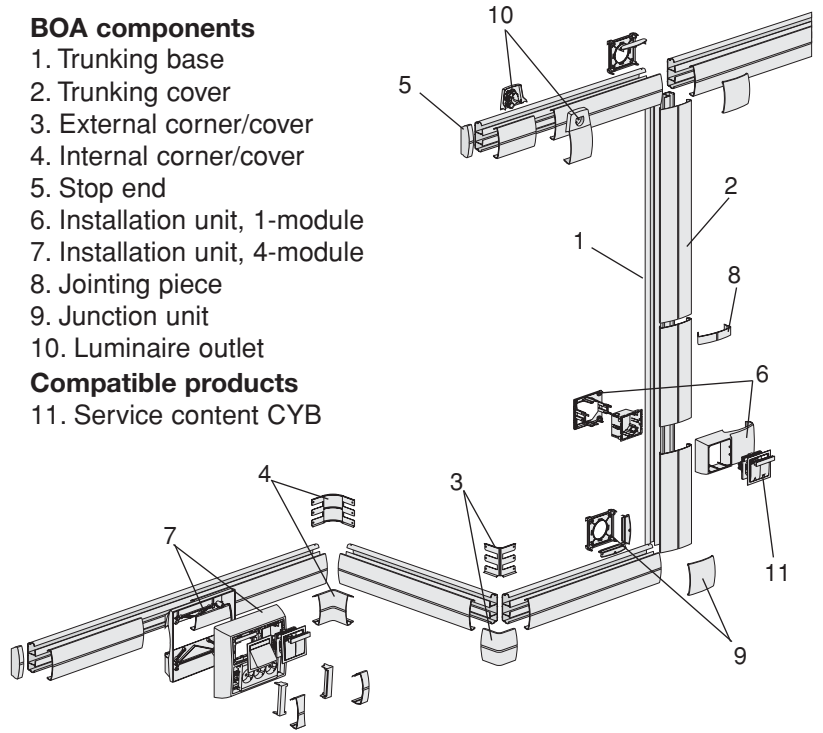


## BOA components

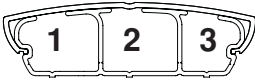


1. Trunking base
2. Trunking cover
3. External corner/cover
4. Internal corner/cover
5. Stop end
6. Installation unit, 1-module
7. Installation unit, 4-module
8. Jointing piece
9. Junction unit
10. Luminaire outlet

## Compatible products

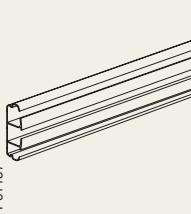
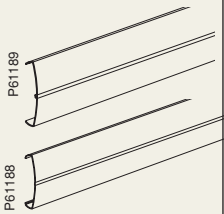
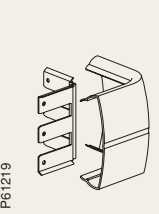
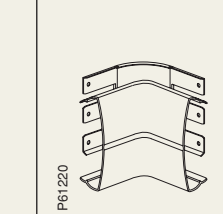
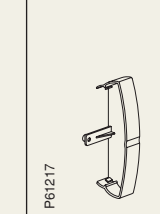
11. Service content CYB

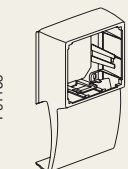
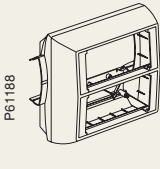
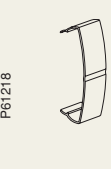
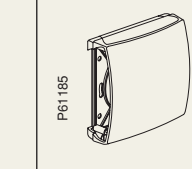
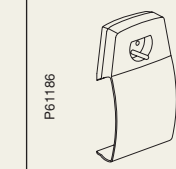


## Cable capacity

Comp.	Max. Ø mm	Cross section area mm <sup>2</sup>	Cable capacity mm <sup>2</sup>		
			40%	50%	60%
 1	19	476	190	238	286
 2	20	531	212	266	319
 3	15	331	132	166	199

## Product Range, type BOA

In the matrix: Type Art. No. Material/Finish					
<b>BOA</b>	<b>Trunking base</b>	<b>Trunking cover</b>	<b>External corner</b>	<b>Internal corner</b>	<b>Stop end</b>
	<b>BOA-U90</b> 5720 000	<b>BOA-C90</b> 5720 004 AN 5720 005 PV 5720 006 PR	<b>BOA-YH</b> 5720 032 PAM 5720 031 PV 5720 030 PR	<b>BOA-IH</b> 5720 022 PAM 5720 021 PV 5720 020 PR	<b>BOA-ES</b> 5720 052 PAM 5720 051 PV 5720 050 PR

In the matrix: Type Art. No. Material/Finish					
<b>BOA</b>	<b>Installation Unit</b>	<b>Installation Unit</b>	<b>Joint cover piece</b>	<b>Junction unit</b>	<b>Luminaire outlet</b>
	<b>BOA-IUS</b> 5720 072 PAM 5720 071 PV 5720 070 PR	<b>BOA-IU4</b> 5720 082 PAM 5720 081 PV 5720 080 PR	<b>BOA-US</b> 5720 042 PAM 5720 041 PV 5720 040 PR	<b>BOA-JU</b> 5720 062 PAM 5720 061 PV 5720 060 PR	<b>BOA-LO</b> 5720 092 PAM 5720 091 PV 5720 090 PR

**AL**= Aluminium, untreated    **PV**= PVC white (RAL 9016)    **POV**= Plastic other, white    **POT**= Plastic other, transparent    ← = Left hand    → = Right hand  
**AN**= Aluminium, natural anodized    **PR**= PVC white (RAL 9010)    **POR**= Plastic other, white RAL 9010    **PO**= Plastic other, colour undefined    ↑ = Up, riser    ↓ = Down, dropper  
**AF**= Aluminium, foiled (page 7)    **PG**= PVC grey    **POB**= Plastic other, grey    **GS**= Galvanized Steel  
**PAM**= Alu-metallic    **PB**= PVC brown    **POBL**= Plastic other, black    **SO**= Steel, other  
**PC**= Powder coated (page 6)    **PCLG**= Powder coated, light grey metallic    **POBR**= Plastic other, brown